



## Liquid Dispenser

### Liquid Immersion for Upright Light Microscopes

#### Specifications

Delivery principle	pressure conveying
Dosage	controlled (drop counter)
Liquid quantity/flow	programmable
Liquid supply	100 ml (bin exchangeable)
Operation	manual, PC/USB, TANGO controller, TTL
Interfaces	USB 2.0 type B (PC) 5-pin female socket (TANGO) 7-pin female socket (Remote Control)
Weight	approx. 2.2 kg

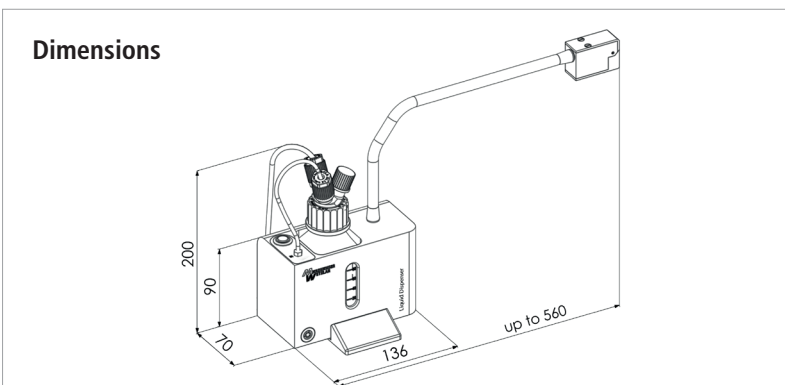
#### Order Information

Order No.:  
 00-74-302-0000 (oil immersion)  
 00-74-303-0000 (water immersion)

#### Product Features

- ▶ precise liquid application, gentle on materials
- ▶ no entrainment of particles and interfering fluorescences
- ▶ liquid supply via chemically highly resistant PTFE capillaries
- ▶ made from contamination-free materials
- ▶ freely positionable gooseneck tube
- ▶ universally applicable, no adaption to microscope required
- ▶ power supply via standard 5 V USB power adapter possible

#### Dimensions



For further accessories for microscopy please visit: [www.marzhauser.com](http://www.marzhauser.com)