



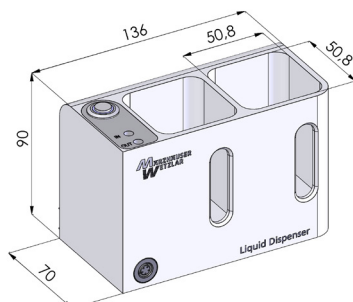
Liquid Dispenser

Liquid Immersion for Inverted Light Microscopes

Specifications

Delivery principle	pressure conveying
Dosage	time-controlled
Liquid quantity/flow	programmable
Liquid recirculation	yes
Liquid supply	100 ml (bins exchangeable)
Operation	manual, PC/USB, TANGO controller, TTL
Interfaces	USB 2.0 type B (PC) 5-pin female socket (TANGO) 7-pin female socket (Remote Control)
Weight	approx. 1.5 kg

Dimensions



Order Information

Order No.:
 00-74-300-0000 (oil immersion)
 00-74-301-0000 (water immersion)

Product Features

- ▶ suitable for oil/water immersion
- ▶ precise liquid application, gentle on materials
- ▶ no entrainment of particles and interfering fluorescences
- ▶ liquid supply and suction via chemically highly resistant PTFE capillary
- ▶ exchangeable glass bins
- ▶ compatible with a variety of lenses by custom-made lens adapters
- ▶ made from contamination-free materials

For further accessories for microscopy please visit: www.marzhauser.com