

hr25CCX

HR CoaXPress

The interface standard CoaXPress was developed to meet the need for higher bandwidth generated by recently launched sensors. In particular the latest high resolution CMOS sensors from Sony and ON Semi are capable of extremely high frame rates. CoaXPress therefore is the first choice for applications where speed is of prime importance.

Technical Highlights

- > ROI, LUT, binning, offset, gamma
- > Lens shading correction
- > Integrated multi channel LED strobe controller
- > CoaXPress (up to 4 x 6,25 Gbit/s)
- > Industrial TTL-24V I/O Interface with SafeTrigger, programmable logic, sequencer and timers, RS232
- > Power over CXP

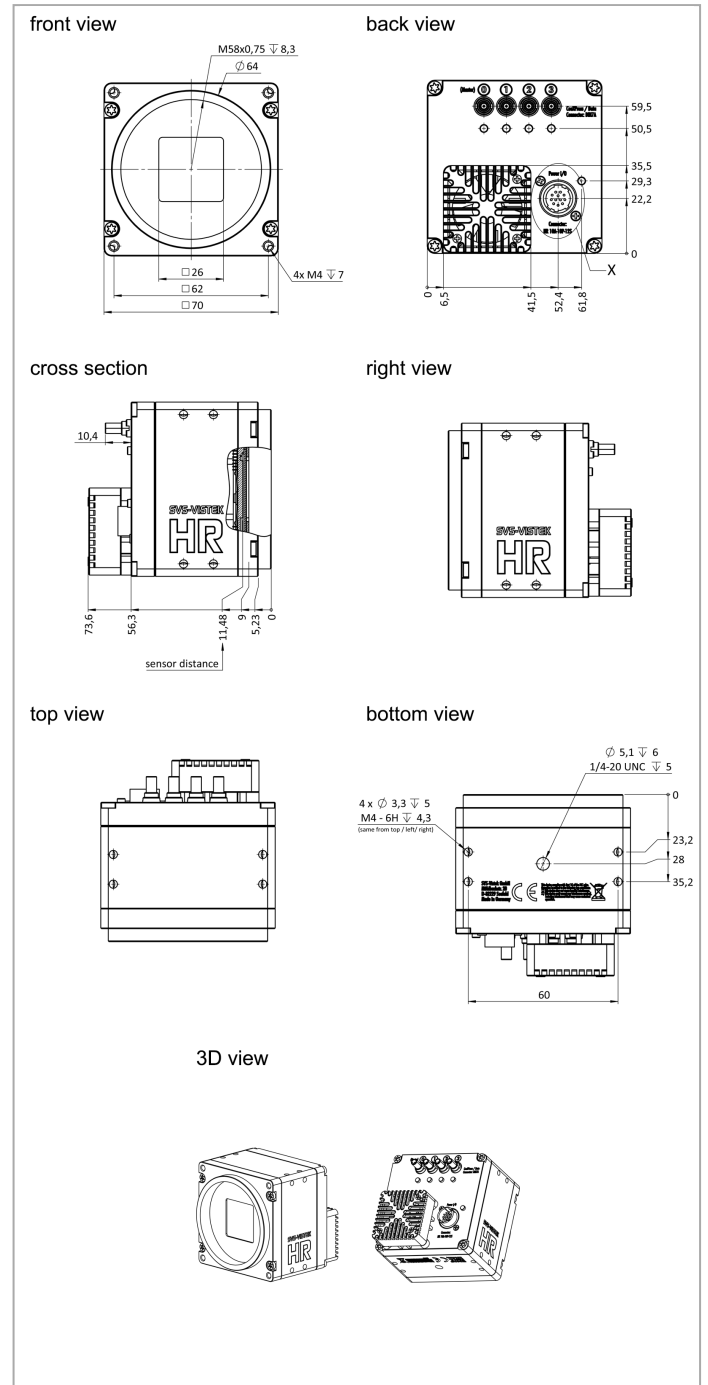


HR Series

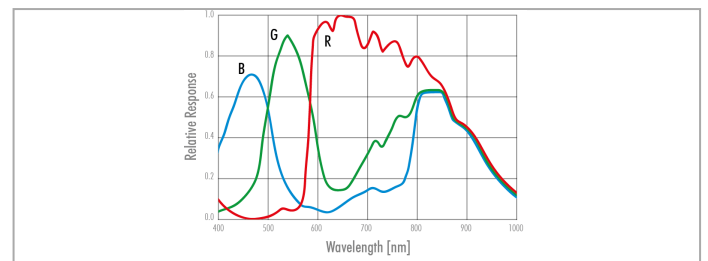
hr25CCX

Resolution	5120 x 5120 px
Frame rate (max.)	80 fps
Chroma	color
Interface	CXP-6 4 Lanes
Sensor	
Sensor	NOIP1SE025KA-GDI
Manufacturer	ON Semiconductor
Sensor type	Area CMOS
Shutter type	global shutter
Sensor size (h x v)	23.04 x 23.04 mm
Optical diagonal	32.58 mm
Sensor format	APS-H (32,58mm)
Pixel size (h x v)	4.5 x 4.5 μm
Camera	
Exposure modes	MANUAL;AUTO;EXTERNAL
Trigger modes	INTERNAL;SOFTWARE;EXTERNAL
Exposure time (min)	50 μs
Exposure time (max)	1 sec (external ∞)
Pixel format / max	bayer8, bayer10 / 10 bit
Gain modes / max	manual, auto / 18 dB
Internal memory	512 MB SDRAM, 160 MB Flash
Feature Set	
Manual white balance	yes
Automatic white balance	yes
LUT	yes
Offset	yes
Binning	yes
Image flip	yes
Shading correction	yes (external)
Sequencer	yes
Housing	
Lens mount	M58x0.75
Dimensions (w x h x d)	70 x 70 x 56.3 mm
Weight	380 g
Operating temperature (housing)	-10 to 60 $^{\circ}\text{C}$
Ambient humidity	10 to 90 % (non-condensing)
Protection class	IP30
I/O-Interfaces	
Input up to 24V	2 x
Input OPTO	1 x
Output open drain	4 x
I/O RS-232	1 x
Power supply	10 to 25 V (DC)
Power consumption	13 W (dep. on operating mode)

Dimensions [mm]



Spectral Response *



* Sensor data – excludes camera cover- or IR-cut filter characteristics