

hr25CCL

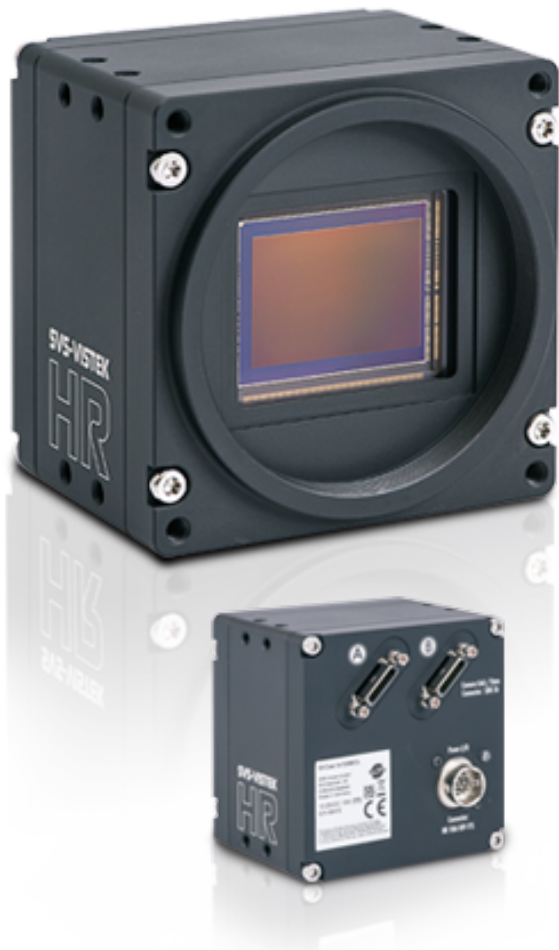
HR Camera Link

Camera Link has its advantages regarding data transfer speed, a deterministic timing and a very direct access to the imaging sensor itself. Thus it permits settings and operating modes that are not available with other interfaces. HR series with Camera Link provides a wide range of unique camera core features.

A sophisticated I/O interface provides a rich choice of industrial hardware and software features, including a GenICam multi-channel LED strobe control. Best suited for applications such as optical metrology, surface control, quality control or monitoring of large areas.

Technical Highlights

- > User defined defect pixel correction
- > Lens shading correction
- > ROI, LUT, binning, gamma, offset
- > Integrated multi channel LED strobe controller
- > Industrial TTL-24V I/O interface with SafeTrigger, programmable logic functions, sequencer, timer, RS232
- > Power over Camera Link (PoCL)

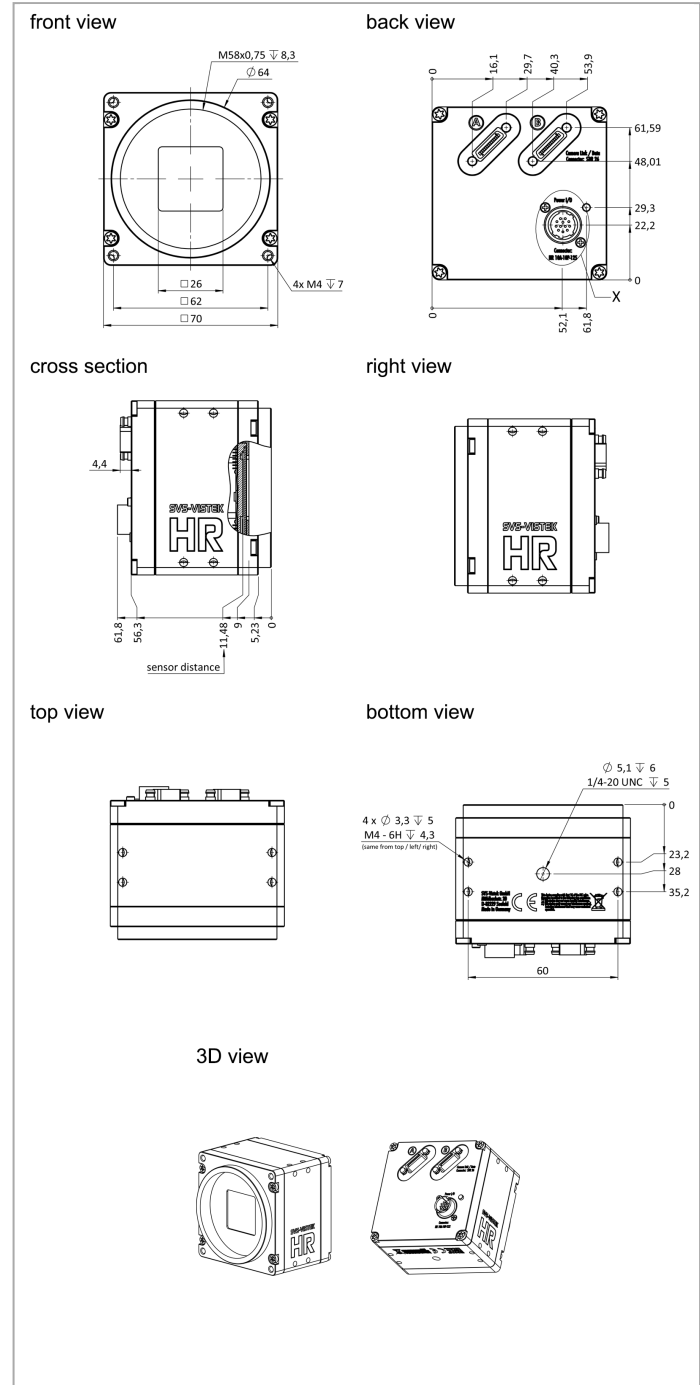


HR Series

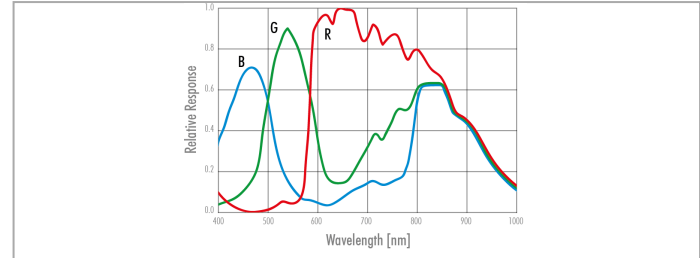
hr25CCL

| | |
|---------------------------------|----------------------------------|
| Resolution | 5120 x 5120 px |
| Frame rate (max.) | 31 fps (1X10-1Y) 25 fps (1X8-1Y) |
| Chroma | color |
| Interface | Camera Link 80-Bit |
| Sensor | |
| Sensor | NOIP1SE025KA-GDI |
| Manufacturer | ON Semiconductor |
| Sensor type | Area CMOS |
| Shutter type | global shutter |
| Sensor size (h x v) | 23.04 x 23.04 mm |
| Optical diagonal | 32.58 mm |
| Sensor format | APS-H (32,58mm) |
| Pixel size (h x v) | 4.5 x 4.5 μm |
| Camera | |
| Exposure modes | MANUAL;AUTO;EXTERNAL |
| Trigger modes | INTERNAL;SOFTWARE;EXTERNAL |
| Exposure time (min) | 21 μs |
| Exposure time (max) | 1 sec (external ∞) |
| Pixel format / max | bayer8, bayer10 / 10 bit |
| Gain modes / max | manual, auto / 18 dB |
| Pixel clock | 85 MHz |
| Internal memory | 512 MB SDRAM, 160 MB Flash |
| Feature Set | |
| Manual white balance | yes |
| Automatic white balance | yes |
| LUT | yes |
| Offset | yes |
| Binning | yes |
| Image flip | yes |
| Shading correction | yes (external) |
| Defect pixel correction | yes |
| Sequencer | yes |
| Housing | |
| Lens mount | M58x0.75 |
| Dimensions (w x h x d) | 70 x 70 x 56.3 mm |
| Weight | 380 g |
| Operating temperature (housing) | -10 to 65 °C |
| Ambient humidity | 10 to 90 % (non-condensing) |
| Protection class | IP40 |
| I/O-Interfaces | |
| Input up to 24V | 2 x |
| Input OPTO | 1 x |
| Output open drain | 4 x |
| I/O RS-232 | 1 x |
| Power supply | 10 to 25 V (DC) |
| Power consumption | 10 W (dep. on operating mode) |

Dimensions [mm]



Spectral Response *



* Sensor data – excludes camera cover- or IR-cut filter characteristics