

exo4000CGE

EXO GigE



Form follows requirements

With uniform size and standard interfaces comes simple interchangeability, allowing the system integrator to easily adapt a solution to varying conditions and requirements - with minimal design effort. SVS-Vistek meets precisely these needs. The EXO series is a perfect match with its uniform form factor and feature set, combined with industry standard interfaces. A solution for virtually every case, allowing smooth and effortless up- or downscaling. Once designed in, the implementations can be varied endlessly.

SVCam EXO series cameras with GigE Vision interface give your applications an extreme scalability. Quick and easy hardware interchangeability results in shorter design cycles and reduced development costs. Further value is added to your application by a virtually limitless feature set. As an example, the 4I/O LED driver with standardized software control.

Technical Highlights

- > 2.3 to 31 Mega Pixel
- > progressive scan / global shutter sensors
- > logical trigger functions
- > programmable sequencer for shutter and LED light
- > SDK for Windows (32/64 Bit) und Linux available
- > GenICam Standard compliant
- > up to 120 MB/s data rate
- > cable length up to 100 Meter
- > broadcast-safe

EXO Series

exo4000CGE

Resolution	2048 x 2048 px
Frame rate (max.)	28 fps
Frame rate burst mode (max.)	74 fps
Chroma	color
Interface	GigE Vision
Sensor	
Sensor	CMV4000-3E5C1PP
Manufacturer	CMOSIS
Sensor type	Area CMOS
Shutter type	global shutter
Sensor size (h x v)	11.26 x 11.26 mm
Optical diagonal	15.93 mm
Sensor format	1 "
Pixel size (h x v)	5.5 x 5.5 μm

Camera

Exposure modes	MANUAL;AUTO;EXTERNAL
Trigger modes	INTERNAL;SOFTWARE;EXTERNAL
Exposure time (min)	27 μs
Exposure time (max)	1 sec (external ∞)
Pixel format / max	bayer8, bayer12packed / 12 bit
Gain modes / max	manual, auto / 11 dB
S/N ratio (max)	38 dB (dep. on environment)
Dynamic range (max)	52 dB (dep. on environment)
Internal memory	256 MB SDRAM, 32 MB Flash

Feature Set

Manual white balance	yes
Automatic white balance	yes
AOI	yes
LUT	yes
Readout control	yes
Binning	yes
Image flip	yes
Sequencer	yes

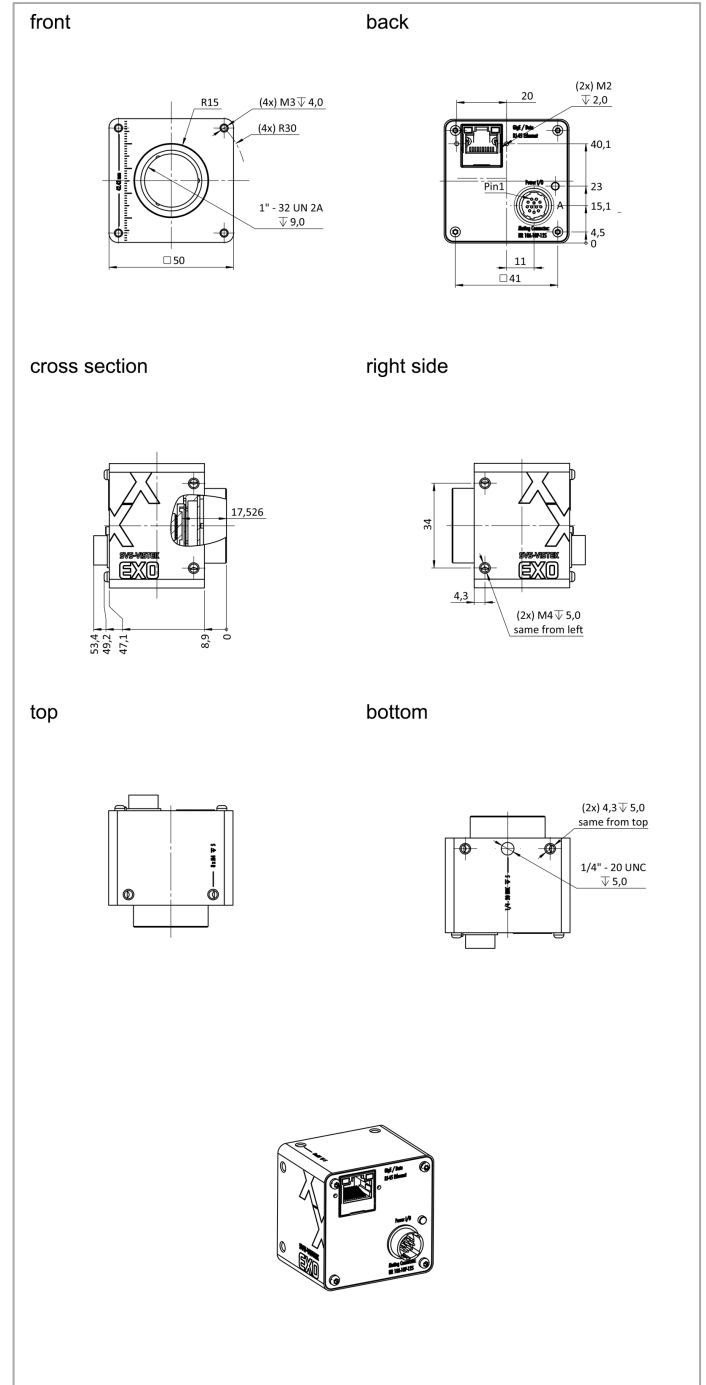
Housing

Lens mount	C-Mount
Dimensions (w x h x d)	50 x 50 x 38 mm
Weight	150 g
Ambient temperature	-10 to 45 $^{\circ}\text{C}$
Ambient humidity	10 to 90 % (non-condensing)
Protection class	IP40

I/O-Interfaces

Input up to 24V	2 x
Input OPTO	1 x
Output open drain	4 x
I/O RS-232	1 x
Power supply	10 to 25 V (DC)
Power consumption	4.5 W (dep. on operating mode)

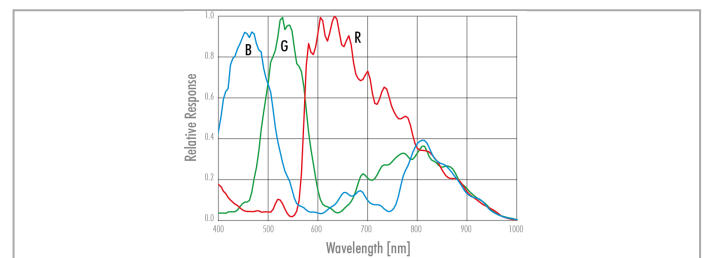
Dimensions [mm]



Pinout Mating Connector

Hirose 12 Pin	1	2	3	4	5	6	7	8	9	10	11	12
	VIN -	VIN +	IN 4	OUT 4	IN 1	IN 2	OUT 1	OUT 2	IN 3 +	IN 3 -	OUT 3	OUT 0
	(GND)	(10V to 25V DC)	(RXD RS232)	(TXD RS232)	(0-24V)	(0-24V)	(open drain)	(open drain)	(opto In+)	(opto In-)	(open drain)	(open drain)

Spectral Response *



* Sensor data – excludes camera cover- or IR-cut filter characteristics

