

# exo367MU3

EXO USB3 Vision



The SVCam EXO is one of the most flexible and scalable cameras for the industrial market segment. The USB3 Vision interface is easy to integrate in your system, with a data rate up to effective 360 MB/sec. The time to market for applications is shortened, saving cost even further. Power the camera via the interface and reduce cable complexity. EXO provides Plug-and-play capability for the whole range of 2.3 to 12 MP resolutions.

## Technical Highlights

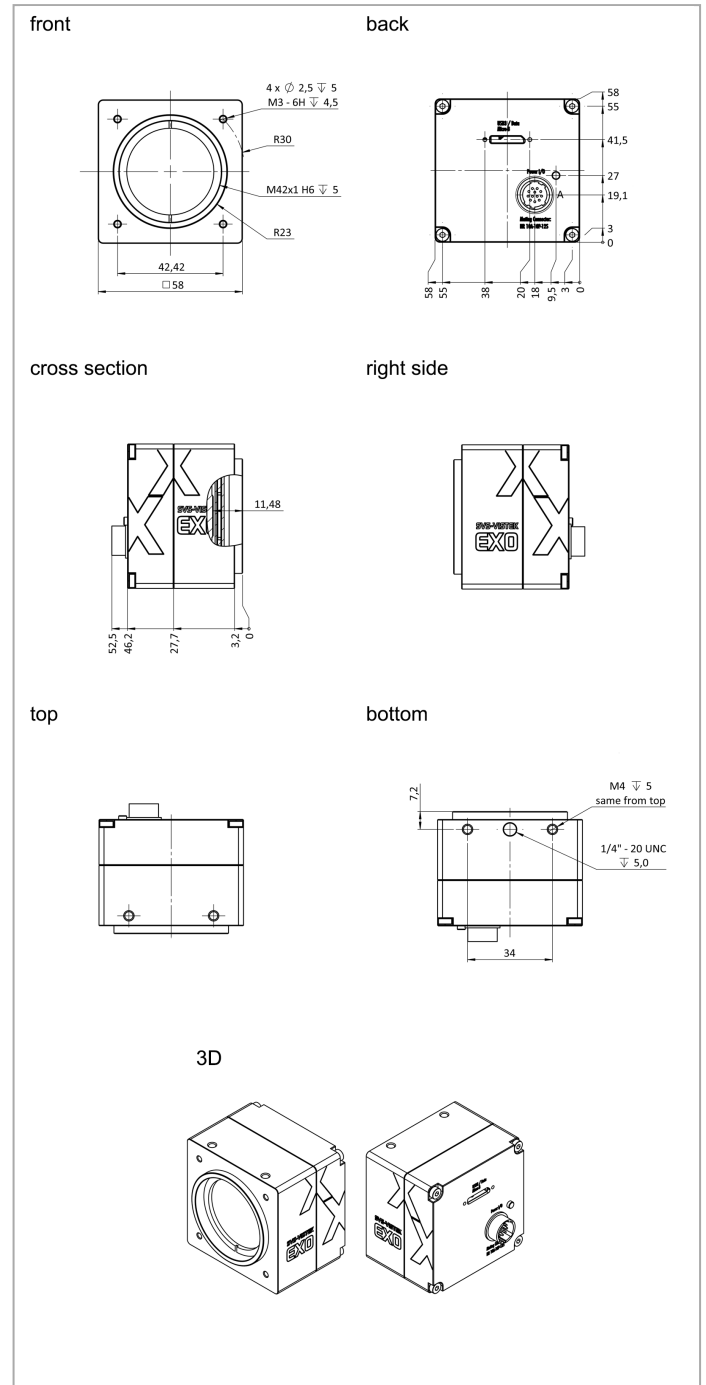
- > Up to 360 MB/s effective transfer rate
- > Leverages existing infrastructure for cables and connectors
- > Powers camera with up to 4.5 W
- > GenICam compliant
- > Cost effective / Easy implementation and interfacing

## EXO Series

## exo367MU3

Resolution	4416 x 4428 px
Frame rate (max.)	19 fps
Chroma	mono
Interface	USB3 Vision
<b>Sensor</b>	
Sensor	IMX367LLA
Manufacturer	Sony
Sensor type	Area CMOS
Shutter type	global shutter
Sensor size (h x v)	15.24 x 15.28 mm
Optical diagonal	21.58 mm
Sensor format	21.6mm (4/3)
Pixel size (h x v)	3.45 x 3.45 $\mu\text{m}$
<b>Camera</b>	
Exposure modes	MANUAL;AUTO;EXTERNAL
Trigger modes	INTERNAL;SOFTWARE;EXTERNAL
Exposure time (min)	26 $\mu\text{s}$
Exposure time (max)	1 sec (external $\infty$ )
Pixel format / max	mono8, mono12packed / 12 bit
Gain modes / max	manual, auto / 48 dB
Internal memory	256 MB SDRAM, 32 MB Flash
<b>Feature Set</b>	
AOI	yes
LUT	yes
Offset	yes
Binning	yes
Image flip	yes
Sequencer	yes
<b>Housing</b>	
Lens mount	M42
Dimensions (w x h x d)	58 x 58 x 46.2 mm
Weight	320 g
Operating temperature (housing)	-10 to 65 $^{\circ}\text{C}$
Ambient humidity	10 to 90 % (non-condensing)
Protection class	IP40
<b>I/O-Interfaces</b>	
Input up to 24V	2 x
Input OPTO	1 x
Output open drain	4 x
I/O RS-232	1 x
Power supply	10 to 25 V (DC)
Power consumption	5.5 W (dep. on operating mode)

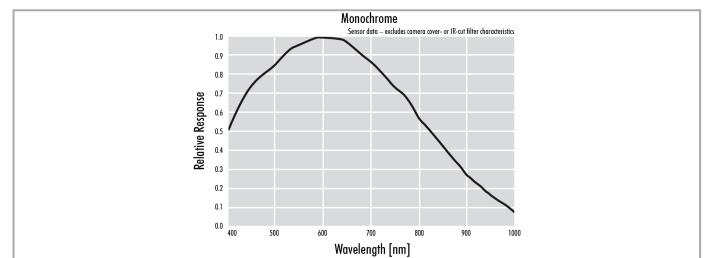
## Dimensions [mm]



## Pinout Mating Connector

Hirose 12 Pin	1	2	3	4	5	6	7	8	9	10	11	12
	VIN -	VIN +	IN 4	OUT 4	IN 1	IN 2	OUT 1	OUT 2	IN 3 +	IN 3 -	OUT 3	OUT 0
	(GND)	(10V to 25V DC)	(RXD RS232)	(TXD RS232)	(0-24V)	(0-24V)	(open drain)	(open drain)	(opto In+)	(opto In-)	(open drain)	(open drain)

## Spectral Response \*



\* Sensor data - excludes camera cover- or IR-cut filter characteristics

