

# exo694MCL

## EXO Camera Link



SVCam EXO Camera Link models let you maintain the existing and proven infrastructure for years to come, while making use of the newest range of image sensors. The serialized interface has gained wide popularity and acceptance thanks to its high bandwidth. The EXO series was the first Camera Link model to include features such as 4I/O strobe controller and LUT.

### Technical Highlights

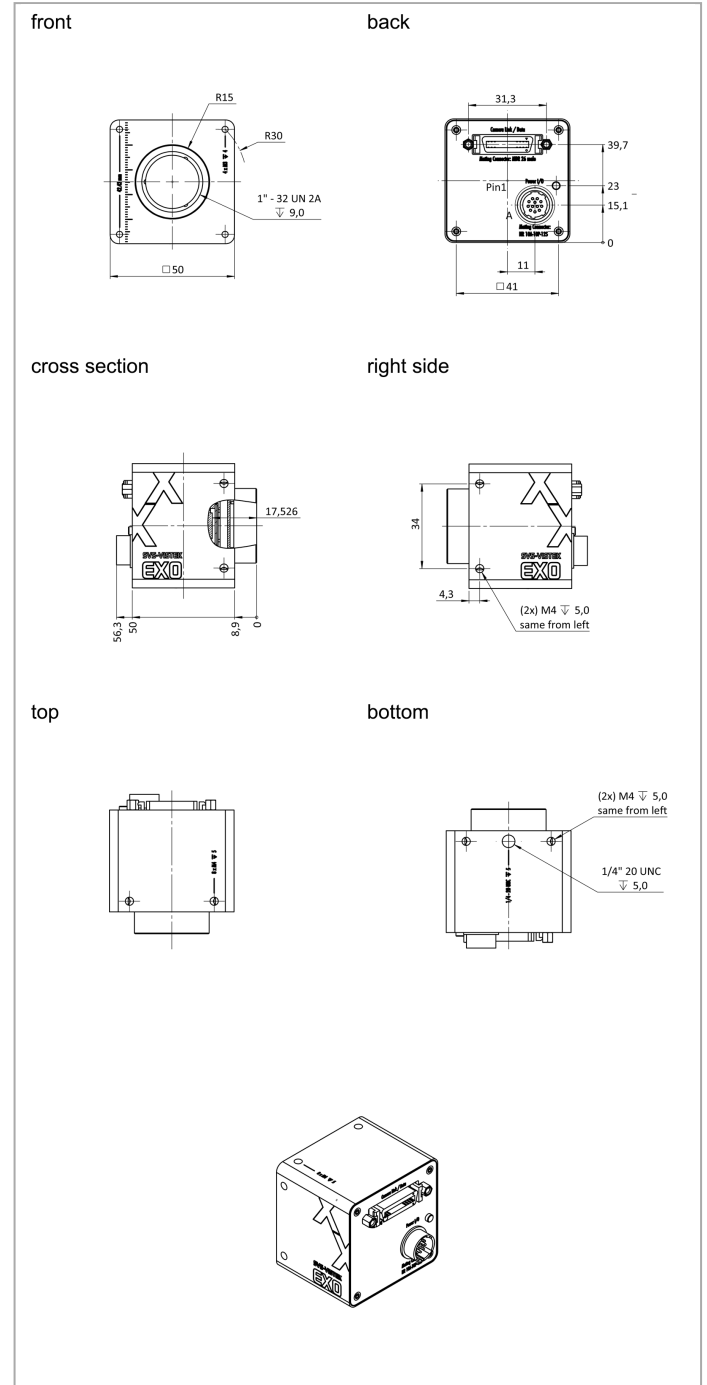
- > GenICam compliant
- > ConvCam Software control

## EXO Series

## exo694MCL

Resolution	2752 x 2200 px
Frame rate (max.)	25 fps
Chroma	mono
Interface	Camera Link Base
<b>Sensor</b>	
Sensor	ICX694ALG
Manufacturer	Sony
Sensor type	Area CCD
Shutter type	global shutter
Sensor architecture	interline transfer
Readout type	progressive scan
Sensor size (h x v)	12.49 x 9.99 mm
Optical diagonal	16 mm
Sensor format	1 "
Pixel size (h x v)	4.54 x 4.54 $\mu\text{m}$
<b>Camera</b>	
Exposure modes	MANUAL;AUTO;EXTERNAL
Trigger modes	INTERNAL;SOFTWARE;EXTERNAL
Exposure time (min)	42 $\mu\text{s}$
Exposure time (max)	1 sec (external $\infty$ )
Pixel format / max	mono8, mono12 / 12 bit
Gain modes / max	manual, auto / 18 dB
S/N ratio (max)	41 dB (dep. on environment)
Dynamic range (max)	62 dB (dep. on environment)
Pixel clock	85 MHz
Internal memory	256 MB SDRAM, 32 MB Flash
<b>Feature Set</b>	
AOI	yes
LUT	yes
Offset	yes
Binning	yes
Image flip	yes
Sequencer	yes
<b>Housing</b>	
Lens mount	C-Mount
Dimensions (w x h x d)	50 x 50 x 41.2 mm
Weight	138 g
Operating temperature (housing)	-10 to 60 °C
Ambient humidity	10 to 90 % (non-condensing)
Protection class	IP40
<b>I/O-Interfaces</b>	
Input up to 24V	2 x
Input OPTO	1 x
Output open drain	4 x
I/O RS-232	1 x
Power supply	10 to 25 V (DC)
Power consumption	5 W (dep. on operating mode)

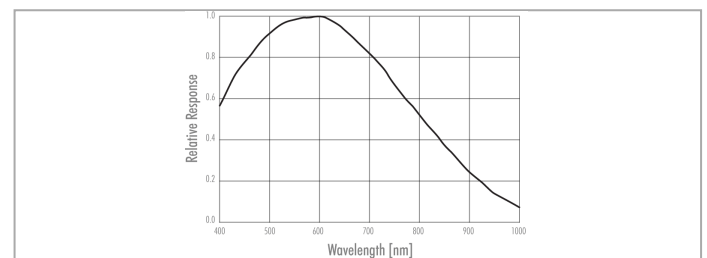
## Dimensions [mm]



## Pinout Mating Connector

<p>Hirose 12 Pin</p>	1	VIN - (GND)	7	OUT 1 (open drain)
	2	VIN + (10V to 25V DC)	8	OUT 2 (open drain)
	3	IN 4 (RXD RS232)	9	IN 3 + (opto In +)
	4	OUT 4 (TXD RS232)	10	IN 3 - (opto In -)
	5	IN 1 (0-24V)	11	OUT 3 (open drain)
	6	IN 2 (0-24V)	12	OUT 0 (open drain)

## Spectral Response \*



\* Sensor data - excludes camera cover- or IR-cut filter characteristics

