

exo267MCL

EXO Camera Link



SVCam EXO Camera Link models let you maintain the existing and proven infrastructure for years to come, while making use of the newest range of image sensors. The serialized interface has gained wide popularity and acceptance thanks to its high bandwidth. The EXO series was the first Camera Link model to include features such as 4I/O strobe controller and LUT.

Technical Highlights

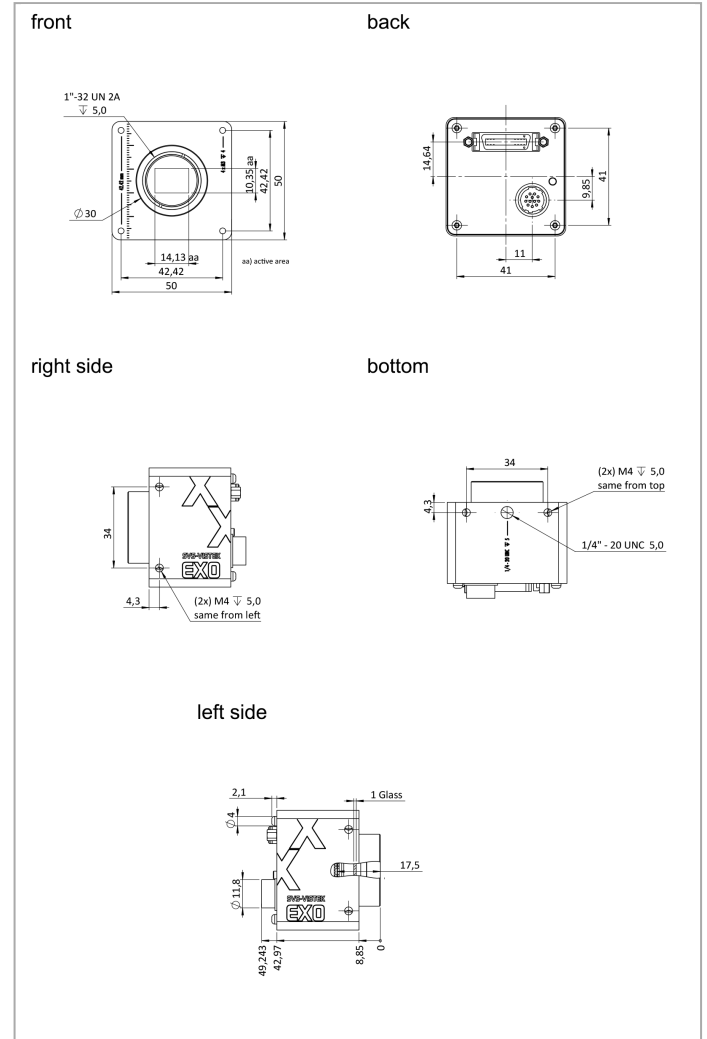
- > GenICam compliant
- > ConvCam Software control

EXO Series

exo267MCL

Resolution	4096 x 2160 px
Frame rate (max.)	28 fps (1X3-1Y) 18 fps (1X2-1Y)
Chroma	mono
Interface	Camera Link Base
Sensor	
Sensor	IMX267LLR
Manufacturer	Sony
Sensor type	Area CMOS
Shutter type	global shutter
Sensor size (h x v)	14.13 x 7.45 mm
Optical diagonal	15.98 mm
Sensor format	1"
Pixel size (h x v)	3.45 x 3.45 μm
Camera	
Exposure modes	MANUAL;AUTO;EXTERNAL
Trigger modes	INTERNAL;SOFTWARE;EXTERNAL
Exposure time (min)	29 μs
Exposure time (max)	1 sec (external ∞)
Pixel format / max	mono8, mono12 / 12 bit
Gain modes / max	manual, auto / 18 dB
S/N ratio (max)	39 dB (dep. on environment)
Dynamic range (max)	72 dB (dep. on environment)
Pixel clock	85 MHz
Internal memory	256 MB SDRAM, 32 MB Flash
Feature Set	
Offset	yes
Binning	yes
Image flip	yes
Shading correction	yes (external)
Defect pixel correction	yes
Sequencer	yes
Housing	
Lens mount	C-Mount
Dimensions (w x h x d)	50 x 50 x 34.1 mm
Weight	140 g
Operating temperature (housing)	-10 to 60 $^{\circ}\text{C}$
Ambient humidity	10 to 90 % (non-condensing)
Protection class	IP40
I/O-Interfaces	
Input up to 24V	2 x
Input OPTO	1 x
Output open drain	4 x
I/O RS-232	1 x
Power supply	10 to 25 V (DC)
Power consumption	4 W (dep. on operating mode)

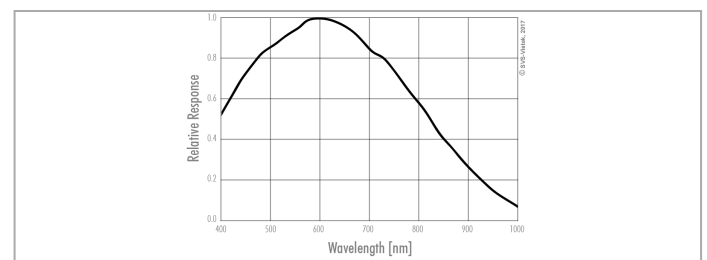
Dimensions [mm]



Pinout Mating Connector

Hirose 12 Pin	1	2	3	4	5	6	7	8	9	10	11	12
	VIN -	VIN +	IN 4	OUT 4	IN 1	IN 2	OUT 1	OUT 2	IN 3 +	IN 3 -	OUT 3	OUT 0
	(GND)	(10 V to 25 V DC)	(RXD RS232)	(TXD RS232)	(0 - 24V)	(0 - 24V)	(open drain)	(open drain)	(opto In +)	(opto In -)	(open drain)	(open drain)

Spectral Response *



* Sensor data – excludes camera cover- or IR-cut filter characteristics