

# exo183MCL

EXO Camera Link



SVCam EXO Camera Link models let you maintain the existing and proven infrastructure for years to come, while making use of the newest range of image sensors. The serialized interface has gained wide popularity and acceptance thanks to its high bandwidth. The EXO series was the first Camera Link model to include features such as 4I/O strobe controller and LUT.

## Technical Highlights

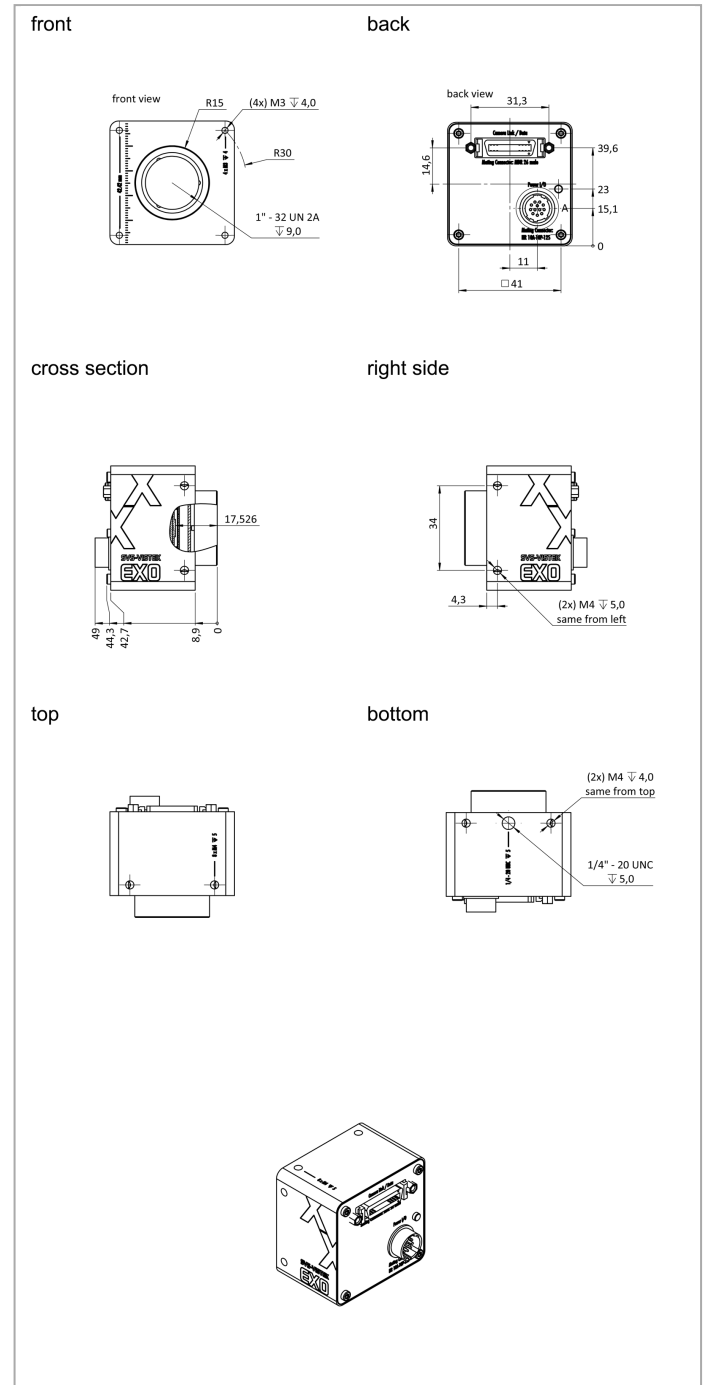
- > GenICam compliant
- > ConvCam Software control

## EXO Series

## exo183MCL

Resolution	5488 x 3672 px
Frame rate (max.)	12 fps (1X3-1Y) 8 fps (1X2-1Y)
Chroma	mono
Interface	Camera Link Base
<b>Sensor</b>	
Sensor	IMX183CLK
Manufacturer	Sony
Sensor type	Area CMOS
Shutter type	rolling shutter
Sensor size (h x v)	13.17 x 8.81 mm
Optical diagonal	15.85 mm
Sensor format	1 "
Pixel size (h x v)	2.4 x 2.4 μm
<b>Camera</b>	
Exposure modes	MANUAL;AUTO
Trigger modes	INTERNAL;SOFTWARE;EXTERNAL
Exposure time (min)	228 μs
Exposure time (max)	1 sec
Pixel format / max	mono8, mono12 / 12 bit
Gain modes / max	manual, auto / 27 dB
S/N ratio (max)	40 dB (dep. on environment)
Dynamic range (max)	71.5 dB (dep. on environment)
Pixel clock	85 MHz
Internal memory	256 MB SDRAM, 32 MB Flash
<b>Feature Set</b>	
Manual white balance	yes
Automatic white balance	yes
AOI	yes
LUT	yes
Offset	yes
Binning	yes
Sequencer	yes
<b>Housing</b>	
Lens mount	C-Mount
Dimensions (w x h x d)	50 x 50 x 33.9 mm
Weight	138 g
Operating temperature (housing)	-10 to 60 °C
Ambient humidity	10 to 90 % (non-condensing)
Protection class	IP40
<b>I/O-Interfaces</b>	
Input up to 24V	2 x
Input OPTO	1 x
Output open drain	4 x
I/O RS-232	1 x
Power supply	10 to 25 V (DC)
Power consumption	4 W (dep. on operating mode)

## Dimensions [mm]



## Pinout Mating Connector

Hirose 12 Pin	1	2	3	4	5	6	7	8	9	10	11	12
	VIN -	VIN +	IN 4	OUT 4	IN 1	IN 2	OUT 1	OUT 2	IN 3 +	IN 3 -	OUT 3	OUT 0
	(GND)	(10V to 25V DC)	(RXD RS232)	(TXD RS232)	(0-24V)	(0-24V)	(open drain)	(open drain)	(opto In+)	(opto In-)	(open drain)	(open drain)