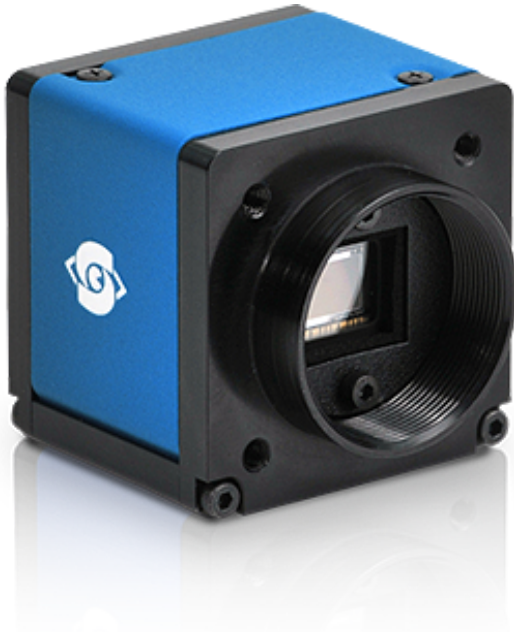


eco274MVGE410

ECO 410



4 x MOSFET LED driver

SVCam-ECO-410 cameras are master in LED illumination and communication and can control the timing for illumination precisely. 4 power outputs (power switches to ground) and 4 inputs (0-24 Volt) provide a maximum of control. Each output can be configured separately to fit the task and type of illumination. Together with a fully programmable sequencer, new possibilities are made available for your applications.

Technical Highlights

- > progressive scan sensor
- > 4 x outputs for direct drive and control of LED lighting
- > up to 120 MB/s data rate
- > GigE Vision and GenlCam-Standards compliant
- > Industrial I/O interface for easy Integration
- > large range of Software and Algorithms
- > broadcast-safe

ECO Series

eco274MVG410

Resolution	1600 x 1236 px
Frame rate (max.)	26.5 fps
Chroma	mono
Interface	GigE Vision
Sensor	
Sensor	ICX274AL
Manufacturer	Sony
Sensor type	Area CCD
Shutter type	global shutter
Sensor architecture	interline transfer
Readout type	progressive scan
Sensor size (h x v)	7.04 x 5.44 mm
Optical diagonal	8.9 mm
Sensor format	1/1.8 "
Pixel size (h x v)	4.4 x 4.4 μm

Camera

Exposure modes	MANUAL;AUTO;EXTERNAL
Trigger modes	INTERNAL;SOFTWARE;EXTERNAL
Exposure time (min)	20 μs
Exposure time (max)	60 sec (external ∞)
Pixel format / max	mono8, mono12 / 12 bit
Gain modes / max	manual, auto / 18 dB
Dynamic range (max)	54 dB (dep. on environment)
Internal memory	64 MB SDRAM, 8 MB Flash

Feature Set

AOI	yes
LUT	yes
Offset	yes
Readout control	yes
Binning	yes
Image flip	yes
Sequencer	yes

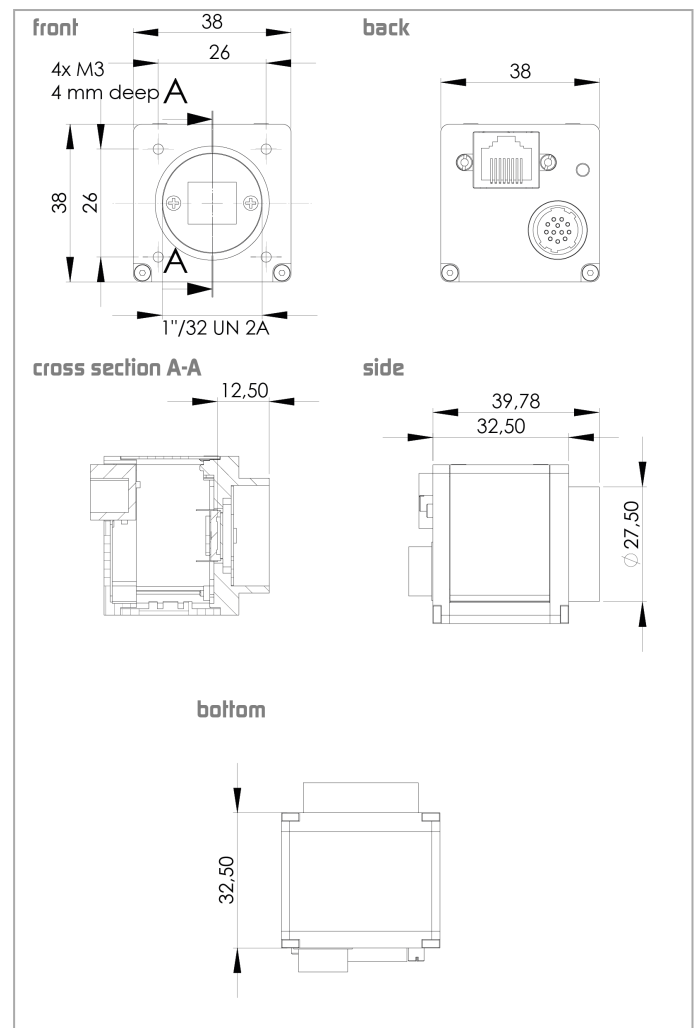
Housing

Lens mount	CS-Mount
Dimensions (w x h x d)	38 x 38 x 33 mm
Weight	85 g
Ambient temperature	-10 to 45 °C
Ambient humidity	10 to 90 % (non-condensing)
Protection class	IP40

I/O-Interfaces

Input up to 24V	4 x
Output open drain	4 x
Power supply	10 to 25 V (DC)
Power consumption	4.5 W (dep. on operating mode)

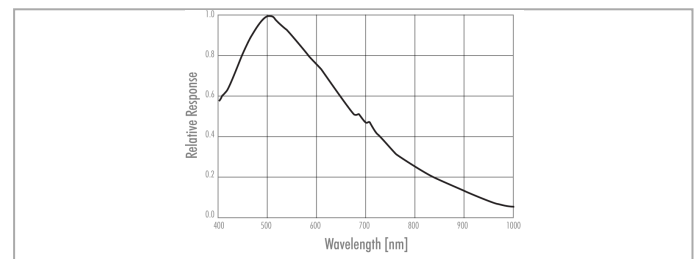
Dimensions [mm]



Pinout Mating Connector

<p>Hirose 12 Pin</p>	1	VIN - (GND)	7	OUT1 (open drain)
	2	VIN + (10V to 25V DC)	8	OUT2 (open drain)
	3	-	9	IN3 (0-24V)
	4	-	10	IN4 (0-24V)
	5	IN1 (0-24V)	11	OUT3 (open drain)
	6	IN2 (0-24V)	12	OUT4 (open drain)

Spectral Response *



* Sensor data – excludes camera cover- or IR-cut filter characteristics