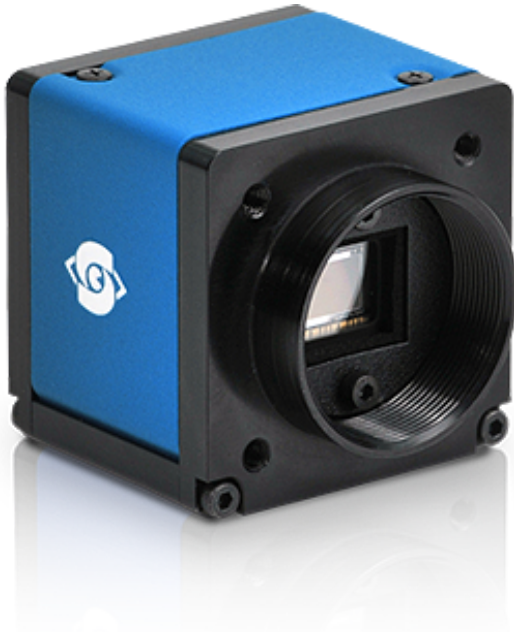


# eco267MVGE410

ECO 410



## 4 x MOSFET LED driver

SVCam-ECO-410 cameras are master in LED illumination and communication and can control the timing for illumination precisely. 4 power outputs (power switches to ground) and 4 inputs (0-24 Volt) provide a maximum of control. Each output can be configured separately to fit the task and type of illumination. Together with a fully programmable sequencer, new possibilities are made available for your applications.

## Technical Highlights

- > progressive scan sensor
- > 4 x outputs for direct drive and control of LED lighting
- > up to 120 MB/s data rate
- > GigE Vision and GenlCam-Standards compliant
- > Industrial I/O interface for easy Integration
- > large range of Software and Algorithms
- > broadcast-safe

## ECO Series

## eco267MVGE410

|                     |                           |
|---------------------|---------------------------|
| Resolution          | 1392 x 1040 px            |
| Frame rate (max.)   | 25 fps                    |
| Chroma              | mono                      |
| Interface           | GigE Vision               |
| <b>Sensor</b>       |                           |
| Sensor              | ICX267AL                  |
| Manufacturer        | Sony                      |
| Sensor type         | Area CCD                  |
| Shutter type        | global shutter            |
| Sensor architecture | interline transfer        |
| Readout type        | progressive scan          |
| Sensor size (h x v) | 6.47 x 4.84 mm            |
| Optical diagonal    | 8.08 mm                   |
| Sensor format       | 1/2 "                     |
| Pixel size (h x v)  | 4.65 x 4.65 $\mu\text{m}$ |

### Camera

|                     |                             |
|---------------------|-----------------------------|
| Exposure modes      | MANUAL;AUTO;EXTERNAL        |
| Trigger modes       | INTERNAL;SOFTWARE;EXTERNAL  |
| Exposure time (min) | 39 $\mu\text{s}$            |
| Exposure time (max) | 60 sec (external $\infty$ ) |
| Pixel format / max  | mono8, mono12 / 12 bit      |
| Gain modes / max    | manual, auto / 18 dB        |
| Dynamic range (max) | 56 dB (dep. on environment) |
| Internal memory     | 64 MB SDRAM, 8 MB Flash     |

### Feature Set

|                 |     |
|-----------------|-----|
| AOI             | yes |
| LUT             | yes |
| Offset          | yes |
| Readout control | yes |
| Binning         | yes |
| Image flip      | yes |
| Sequencer       | yes |

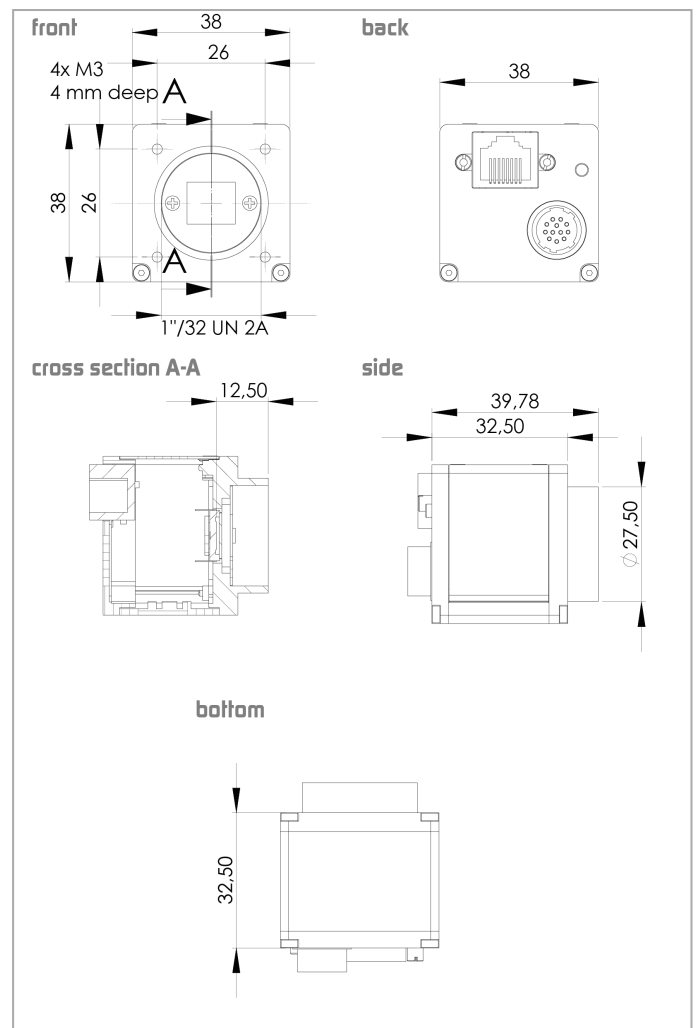
### Housing

|                        |                             |
|------------------------|-----------------------------|
| Lens mount             | CS-Mount                    |
| Dimensions (w x h x d) | 38 x 38 x 33 mm             |
| Weight                 | 85 g                        |
| Ambient temperature    | -10 to 45 °C                |
| Ambient humidity       | 10 to 90 % (non-condensing) |
| Protection class       | IP40                        |

### I/O-Interfaces

|                   |                                |
|-------------------|--------------------------------|
| Input up to 24V   | 4 x                            |
| Output open drain | 4 x                            |
| Power supply      | 10 to 25 V (DC)                |
| Power consumption | 4.5 W (dep. on operating mode) |

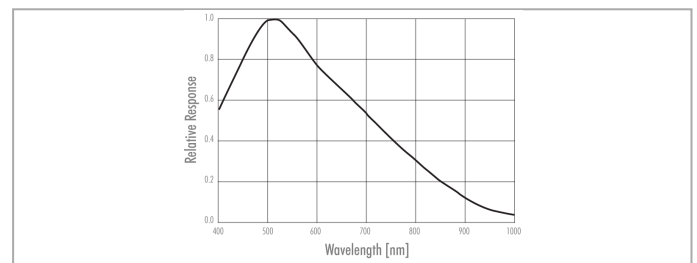
## Dimensions [mm]



## Pinout Mating Connector

|                      |   |                       |    |                   |
|----------------------|---|-----------------------|----|-------------------|
| <p>Hirose 12 Pin</p> | 1 | VIN - (GND)           | 7  | OUT1 (open drain) |
|                      | 2 | VIN + (10V to 25V DC) | 8  | OUT2 (open drain) |
|                      | 3 | -                     | 9  | IN3 (0-24V)       |
|                      | 4 | -                     | 10 | IN4 (0-24V)       |
|                      | 5 | IN1 (0-24V)           | 11 | OUT3 (open drain) |
|                      | 6 | IN2 (0-24V)           | 12 | OUT4 (open drain) |

## Spectral Response \*



\* Sensor data – excludes camera cover- or IR-cut filter characteristics