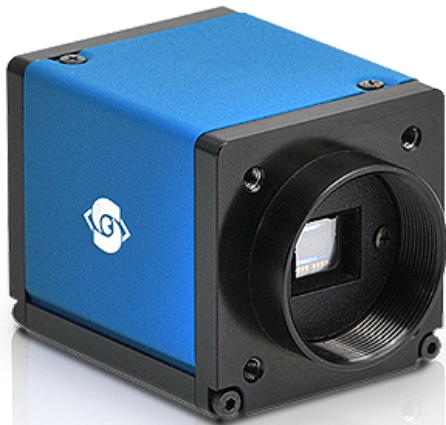


eco204CPGE

ECO PoE



One of the smallest PoE Cameras in the world

The SVCam ECO-series is compelling by virtue of its extremely compact design (38 x 38 x 33 mm) and offers the best value for money. The SVCam-ECO is small, robust, fit for the factory floor, manufactured with precision, safe to connect, offers an LED controller, is PLC ready and reliable.

When the machinery does not need to be connected directly to the camera the SVCam-ECO series is also available in PoE (Power over Ethernet) Versions. This simplifies the installation as there is only need for a single cable.

Technical Highlights

- > progressive scan sensor
- > 2 x outputs for direct drive and control of LED lighting
- > up to 120 MB/s data rate
- > GigE Vision and GenICam-Standards compliant
- > Industrial I/O interface for easy Integration
- > large range of Software and Algorithms
- > broadcast-safe

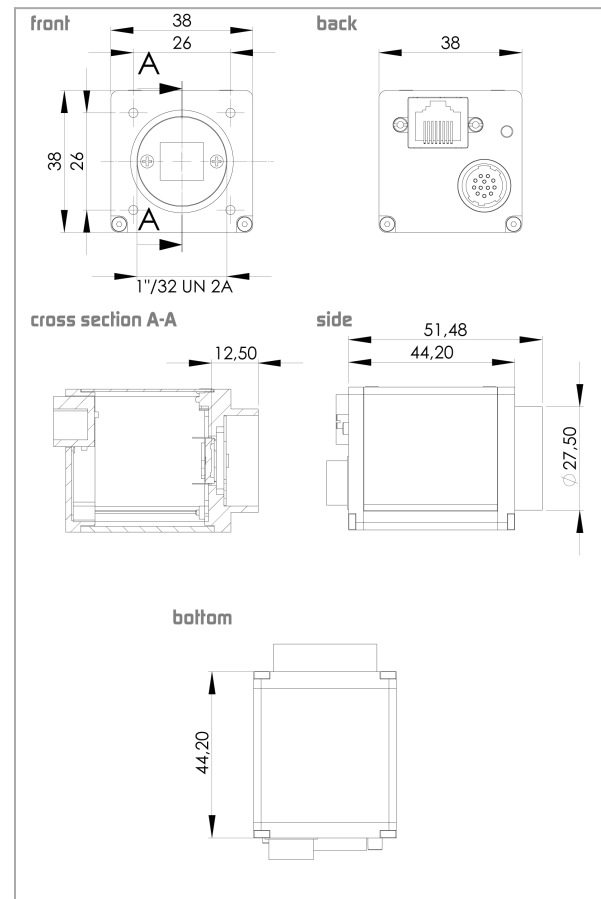
SVS-Vistek GmbH - Mühlbachstraße 20 - 82229 Seefeld - Germany - Telephone +49 8152 9985-0
Information accurate as to: 28.04.2020, errors and omissions excepted.
© 2020 – SVS-Vistek GmbH, all rights reserved.

ECO Series

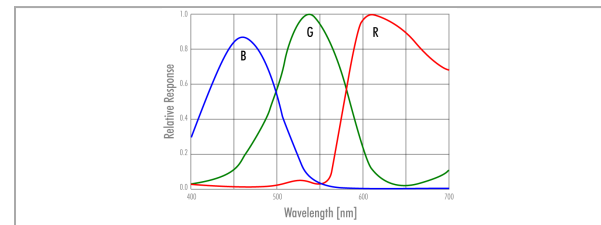
eco204CPGE

Resolution	1024 x 776 px
Frame rate (max.)	47 fps
Chroma	color
Interface	GigE Vision
Sensor	
Sensor	ICX204AK
Manufacturer	Sony
Sensor type	Area CCD
Shutter type	global shutter
Sensor architecture	interline transfer
Readout type	progressive scan
Sensor size (h x v)	4.76 x 3.61 mm
Optical diagonal	5.97 mm
Sensor format	1/3 "
Pixel size (h x v)	4.65 x 4.65 μm
Camera	
Exposure modes	MANUAL;AUTO;EXTERNAL
Trigger modes	INTERNAL;SOFTWARE;EXTERNAL
Exposure time (min)	16 μs
Exposure time (max)	60 sec (external ∞)
Pixel format / max	bayer8, bayer12 / 12 bit
Gain modes / max	manual, auto / 18 dB
Dynamic range (max)	54 dB (dep. on environment)
Internal memory	64 MB SDRAM, 8 MB Flash
Feature Set	
Manual white balance	yes
AOI	yes
LUT	yes
Offset	yes
Readout control	yes
Binning	yes
Image flip	yes
Sequencer	yes
Housing	
Lens mount	CS-Mount
Dimensions (w x h x d)	38 x 38 x 55 mm
Weight	100 g
Ambient temperature	-10 to 45 $^{\circ}\text{C}$
Ambient humidity	10 to 90 % (non-condensing)
Protection class	IP40
I/O-Interfaces	
Input up to 24V	2 x
Output open drain	2 x
I/O RS-422	1 x
Power supply	10 to 25 V (DC)
Power consumption	4.5 W (dep. on operating mode)

Dimensions [mm]



Spectral Response *



* Sensor data – excludes camera cover- or IR-cut filter characteristics