

After the ground-breaking optical head Everest-K1, STIL latest development is the new chromatic confocal optical head Everest-K2 which harbors extended measuring range with similar performances.

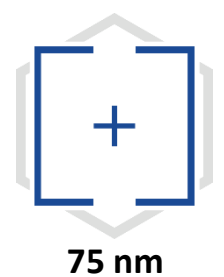
Slope Angle



Accuracy



Resolution



DESIGNED FOR

Micromechanics



Semiconductors



Aerospace



Metrology



PERFECT FOR

Distance



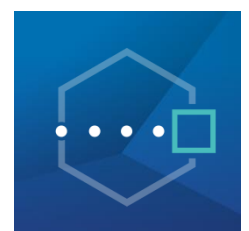
Roughness



Thickness

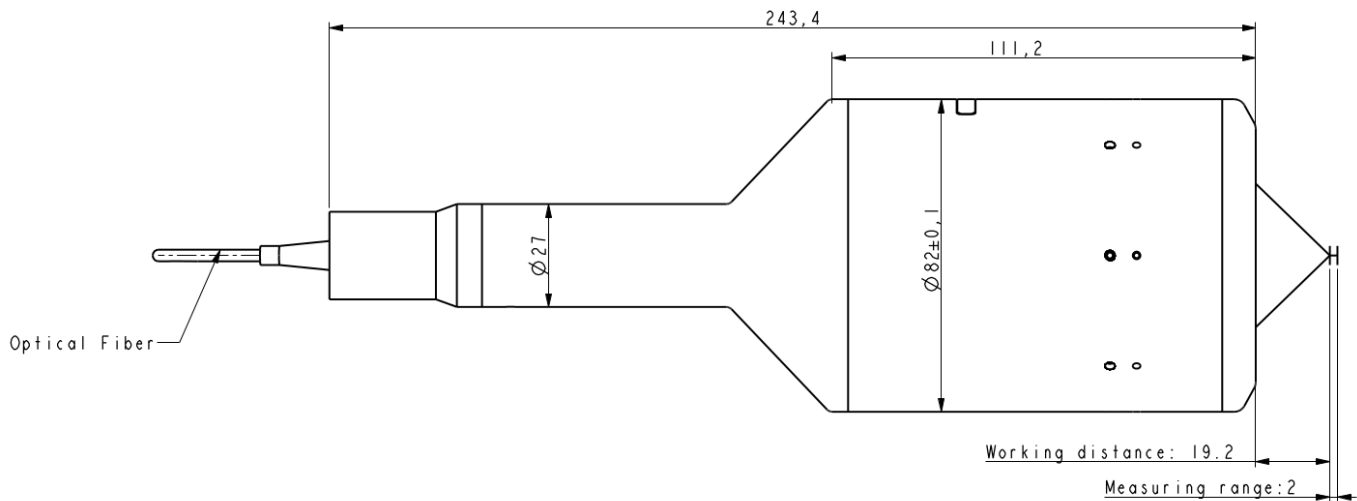


Displacement





DIMENSIONAL DRAWING



SPECIFICATIONS

Specifications		Test on CCS Prima Controller
Measuring range	μm	2000
Working distance	mm	19.2
Maximum sample slope	deg	$\pm 42^\circ$
Accuracy (max. linearity error)	nm	150
Axial resolution	nm	75
Spot size (diameter)	μm	7
Numerical Aperture (N.A.)		0.67
Minimum thickness measurement	μm	100
Dimensions		
Length	mm	243.4
Diameter	mm	82
Weight	g	1250