

Product-Spezifikation

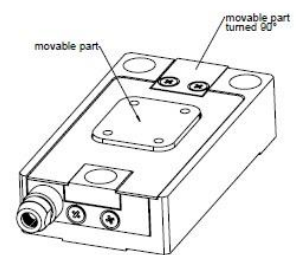
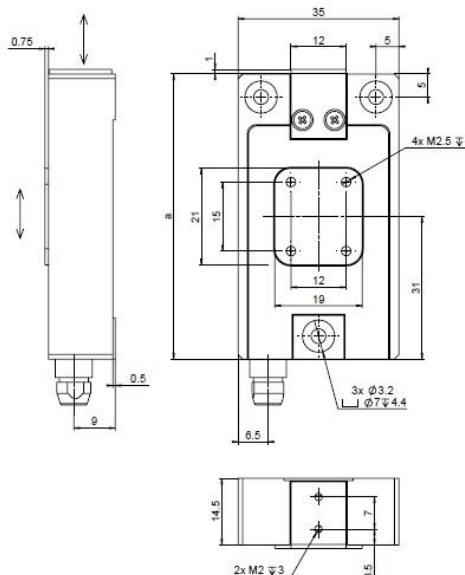
Product	LPa Piezo Linear Stages			
Product-Number	LPa-b00045	LPa-b00090	Unit	Tolerance
Displacement (0..150 V)	45	90	µm	±10%
Displacement (-45..180 V)	72	143	µm	±10%
Resolution, open loop	0.1	0.2	nm	typ.
Resolution, closed loop	1	2	nm	typ.
Linearity, closed loop	0.1	0.2	%	typ.
Repeatability, closed loop	5	6	nm	typ.
Push/Pull	200/25	200/25	N	max.
Stiffness	21	10	N/µm	
Resonance, unloaded	3,000	2,000	Hz	
El. Capacitance @ 1V eff. 1kHz	3.3	6.6	µF	
Body-Material	stainless steel			
Operating Temperature	-20..80			°C

Product-Name: LPa-b.....

- a = O for the open-loop version
- a = S for the version with position-sensor
- b = P for pigtailed (wires without socket)
- b = L for Lemosa-socket (option for the open-loop version)
- b = D for DSub-socket. 15 pins (option for the version with sensor)

Options:

- Vacuum-Compatibility
- Suitable driver, open-loop, EBO 050100
- Suitable controller, closed-loop, LC.400



	a [mm]
LPx-xx0045	62
LPx-xx0090	92