

Worldwide Distributors

China

Pinnacle Scientific Corporation

3/F, General Building
No.6 West Zone 8th Road
Sandun West Lake Science & Technology
Economic Park
Hangzhou, 310030

Tel: +86-571-88225151
Fax: +86-571-88225252

sales@psci.cn
www.psci.cn

France

Photon Lines

30 Avenue de l'Amiral Lemonnier, BP 51
F-78164 Marly-le-Roi Cedex

Tel.: +33-1-30 08 99 00
Fax: +33-1-30 08 99 09

infos@photonlines.com
www.photonlines.fr

Italy

LOT-Oriel Italia

Via Costa, 31
20131 Milano

Tel: +39-2-26822104
Fax: +39-2-26825007

info@lot-oriel.it
www.lot-oriel.it

Japan

Japan Laser Corp.

2-14-1, Nishiwaseda,
Shinjyuku-ku,
Tokyo, 169-0051

Tel.: +81-3-5285-08 61
Fax: +81-3-5285-08 60

lase@japanlaser.jp
www.japanlaser.jp

Korea

DongWoo Optron Co., Ltd.

611-5, MaeSan-Ri, Opo-Eup
464-893 KwangJu-Si, Kyunggi-Do

Tel.: +82-31-7 65-03 00
Fax: +82-31-7 65-02 22

optron@optron.co.kr
www.optron.co.kr

Spain

LASER Technology S.L.

Polig. " La Baileta " Can Xinxa
Calle B - Nave 8
08348 Cabrils - Barcelona

Tel.: +34-93-7 50 01 21
Fax: +34-93-7 50 03 23

josecochon@laser-technology.com
www.laser-technology.com

Taiwan

Tayhwa Technology Co. Ltd.

9F, No. 73 , Sec. 1
Ho Ping E. Rd.
Taipei City 106

Tel: +886-2-2356-9737
Fax: +886-2-2356-9659

e-mail: tayhwa@tayhwa.com.tw
web: www.tayhwa.com.tw

Turkey

MITRA ANONIM SIRKETI

Bestekar Sevki Bey Sokak No: 20-1
Balmumcu - 34349 Istanbul

Tel.: +90-212-347 47 40
Fax: +90-212-347 47 45

omerbozoglu@mitra.com.tr
teknofil@mitra.com.tr
www.mitra.com.tr

UK

Photon Lines Ltd

Bloxham Mill
Barford Road
Bloxham, Banbury
Oxfordshire OX15 4FF

Tel.: +44-1295-72 42 25
Fax: +44-1295-72 42 26

ja-marvin@photonlines.com
www.photonlines.com

USA

Market Tech, Inc.

P.O. Box 67037
Scotts Valley,
CA 95067-7037

Tel.: +1-800-326-5714
Fax: +1-831-461-1136

info@markettechinc.net
www.markettechinc.net



Omicron-Laserage Laserprodukte GmbH
Raiffeisenstrasse 5e
63110 Rodgau, Germany
Tel: +49-61 06-82 24-0
Fax: +49-61 06-82 24-10
www.omicron-laser.de
mail@omicron-laser.de



High-Performance OEM diode lasers

PhoXX[®]

Small and compact design

14 different wavelengths
between 375nm and 830nm

Single-Mode optical output
power up to 140mW

TEC temperature-stabilized
and conductively cooled
through baseplate

High-Stability CW operation
and high-speed digital and
analogue modulation



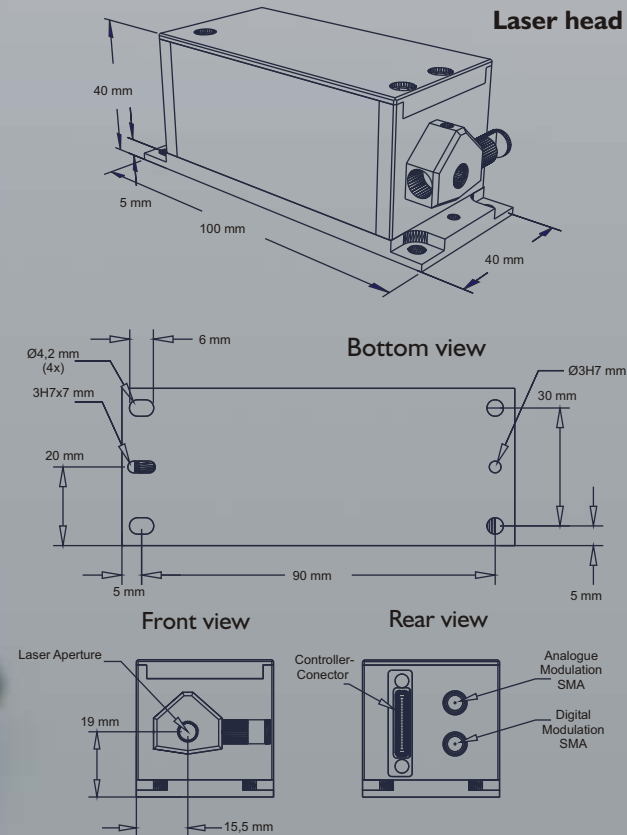
The Omicron PhoxX[®] OEM Laser Series

Smaller than you are used to
Stronger than expected !

The Omicron PhoxX[®] OEM Laser Series offers high-performance at a compact design. A broad variety of wavelengths and single-mode emission up to 140mW cover a wide range of applications. Easy integration into existing or future designs is assured by versatile input signal types. The USB2.0 and the RS-232 interface allow deep integration of the lasers into the applications process.

Applications:

Flow Cytometry
Confocal Microscopy
Printing / CtP
Microlithography
Reprographics
Test and Measurement
Machine Vision
....



PhoxX[®] OEM Laser Series Specification Table

Model	PhoxX [®] 375	PhoxX [®] 405	PhoxX [®] 405-60	PhoxX [®] 445-120	PhoxX [®] 445	PhoxX [®] 473	PhoxX [®] 488	PhoxX [®] 638	PhoxX [®] 642	PhoxX [®] 660	PhoxX [®] 685	PhoxX [®] 705	PhoxX [®] 730	PhoxX [®] 785	PhoxX [®] 808	PhoxX [®] 830
Wavelength (+/- 5nm)	375nm	405nm	405nm	445nm	473nm	488nm	638nm	642nm	660nm	685nm	705nm	730nm	785nm	808nm	830nm	
Optical output power	20mW	60mW	120mW	50mW	20mW	20mW	40mW	140mW	130mW	50mW	40mW	40mW	120mW	140mW	140mW	
Typical beam diameter (1/e ²)	1.0 ... 1.5mm (depends on wavelength)															
Beam quality M ²	<1.3															
Beam ellipticity	<1.2:1															
Beam pointing stability (µrad/°C)	<5															
Polarisation ratio	>100:1 vertical															
Warm up time	<3 minutes															
Operation modes																
Mode 1	CW Operation															
Mode 2	Analogue Modulation															
Mode 3	Digital Modulation															
Mode 4	Mixed Analogue & Digital Modulation															
Digital modulation																
Modulation bandwidth	>180MHz															
Signal type	TTL (1,5 kOhm) / 0...1V (50 Ohm) / LV-PECL / PECL / LVDS (user-configurable)															
Analogue modulation																
Modulation bandwidth	>1MHz															
Signal type	0...1V (50 Ohm) / 0...5V (10 kOhm) (user-configurable)															
Laser enable input																
Modulation bandwidth	>150kHz (complete ON/OFF)															
Signal type	TTL (2 kOhm)															
RMS noise characteristics																
20Hz ... 10MHz	< 0,2%															
10MHz ... 500MHz	< 1%															
Long-term power stability (8h)	< +/- 2%															
Electrical properties																
Laser operating voltage	5.00 VDC +/- 0.50V															
Computer interface																
Type	RS-232 and USB2.0															
Mechanical properties																
Dimensions laser head	100 x 40 x 40mm (l x w x h)															
Dimensions laser controller	120 x 62 x 40mm (l x w x h)															